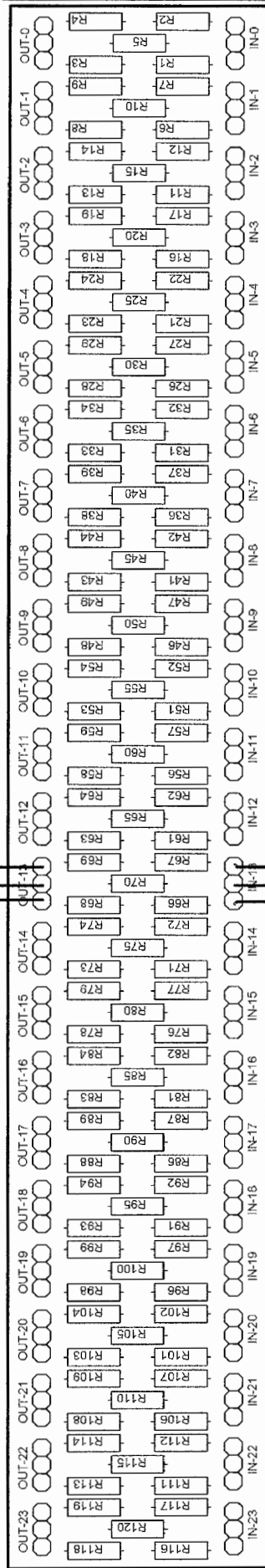


PATCH BAY JACK TIP +
 PATCH BAY JACK GROUND
 PATCH BAY JACK RING -

WIRE ALL PADS THE SAME



- 20dB

- 15dB

- 10dB

- 8dB

- 6dB

- 4dB

GMZ Electronics 99
 Rev.1 600/600 in out
 All Resistors 1%

WIRE ALL PADS THE SAME

PATCH BAY JACK TIP +
 PATCH BAY JACK GROUND
 PATCH BAY JACK RING -

PC BOARD FITS RIGHT ON THE BACK OF THE PATCH BAY